

OPTICAL TO RF SIGNAL ADAPTOR



- ✓ Terrestrial RF band, CATV and Satellite FI (vertical low polarization).
- ✓ DC output for optical LNB supply.
- ✓ Selectable 20 dB RF attenuator (High/Low)

Optical Input:

Wavelength range: 1100 to 1600 nm
 Input power range: from +7 dBm to -30 dBm
 Optical Return Loss: >40 dB
 Optical connector: FC-PC (standard, others on demand)
 Fiber Core/Cladding: 9 /125 μ m

RF output:

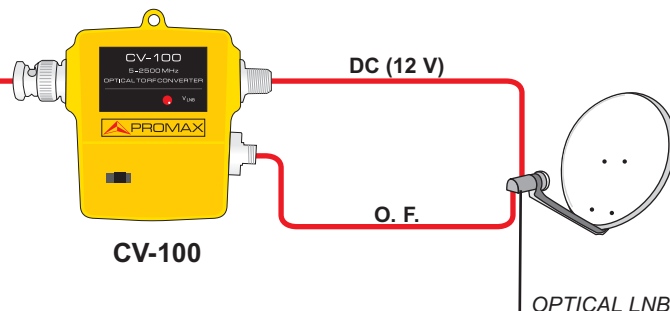
Bandwidth: from 5 to 2500 MHz
 Max. output signal: 120 dB μ V
 RF connector: BNC
 CTB, CSO: \leq 65 dBc
 Selectable 20 dB attenuator (High/Low)

DC output:

By passed from RF output connector (12V / 500mA)
 Max Voltage 14 V (over-voltage)
 DC connector: F connector for optical LNB supply



TV & SATELLITE ANALYSER



CV-100 Optical to RF signal adaptor

The **CV-100** is an optical to RF adaptor to allow the compatibility of TV and Satellite analysers with the new optical LNBs:

- Terrestrial RF band, CATV and Satellite FI (vertical low polarization).
- DC output for optical LNB supply.
- Selectable 20 dB RF attenuator (High/Low).



OPTICAL INPUT Wavelength range Input power range Optical Return Loss Optical connector Fibre Core/Cladding	1100 to 1600 nm From +7 dBm to -30 dBm >40 dB FC-PC (standard, others on demand) 9 /125 μ m
RF OUTPUT: Bandwidth Max. output signal RF connector CTB, CSO 20 dB attenuator	From 5 to 2500 MHz 120 dB μ V BNC 50 Ω \leq 65 dBc Selectable (High/Low)
DC OUTPUT Max Voltage DC connector Internal consumption	By passed from RF output connector (12V \square / \square 500mA) 14 V (over-voltage and over-range protection) F connector for optical LNB supply 80 mA



Lystgaardsparken 6, 8300 Odder
 Tlf.: 86258899 Email: salg@atimco.dk